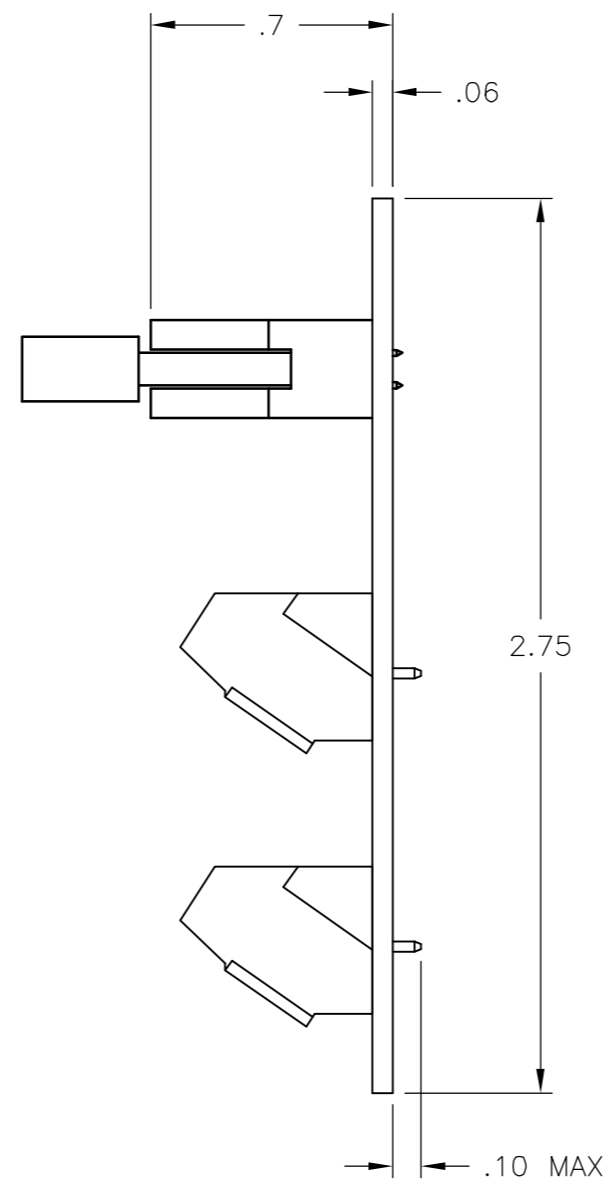
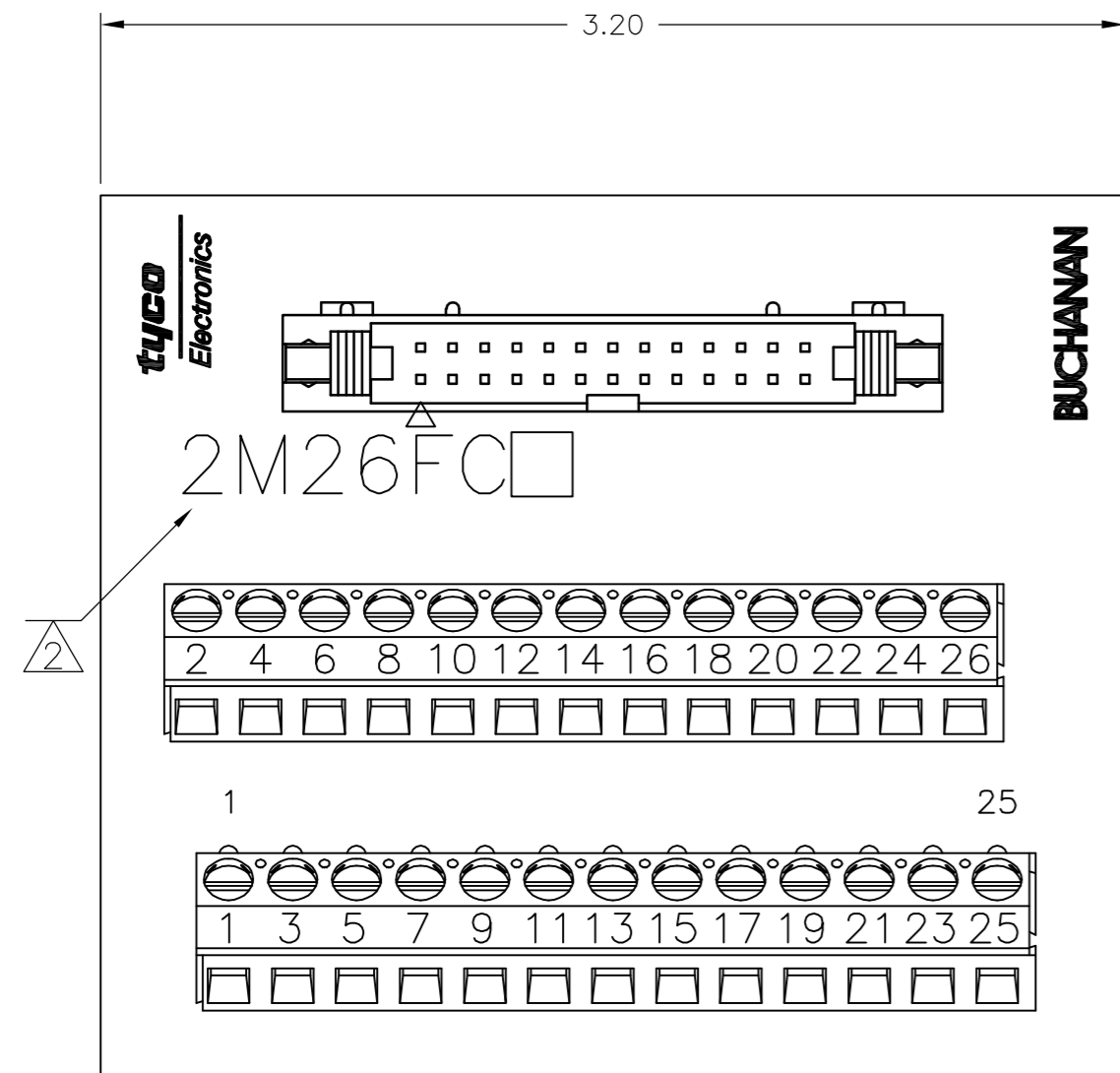


THIS DRAWING IS UNPUBLISHED. RELEASED FOR PUBLICATION
 © COPYRIGHT BY TYCO ELECTRONICS CORPORATION. ALL RIGHTS RESERVED.

LOC		DIST		REVISIONS			
P	LTR	DESCRIPTION	DATE	DWN	APVD		
	B	REVISED PER ECO-05-10413	9/30/05	SS	SRV		



HEADER:
 MATERIALS:
 HEADER: COPPER ALLOY, GOLD PLATE, 94V-0 THERMOPLASTIC.
 CONNECTOR: COPPER ALLOY, GOLD PLATE, 94V-0 THERMOPLASTIC.

ELECTRICAL:
 RATING: 1 AMPERE MAX. (CONNECTOR).

MECHANICAL:
 WIRE RANGE: 26-30 AWG SOLID, 28 AWG STRANDED.

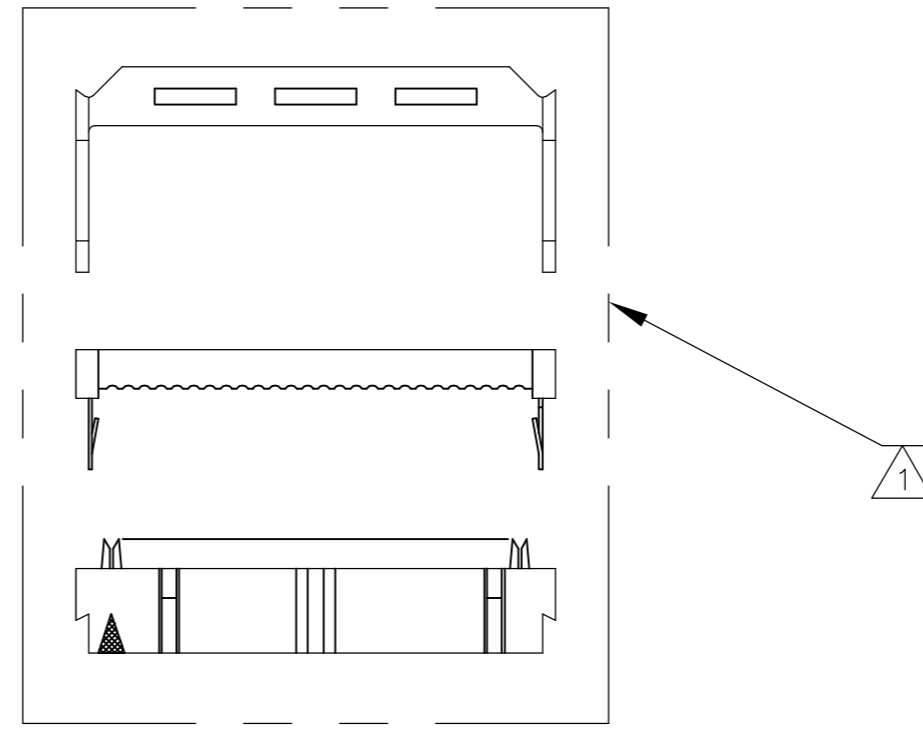
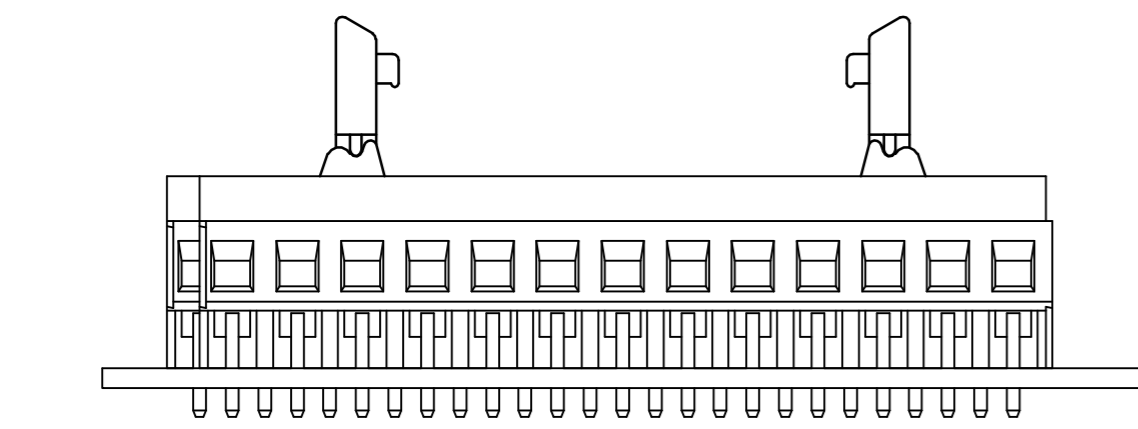
TERMINAL BLOCK:
 MATERIALS:
 HOUSING: THERMOPLASTIC NYLON, BLACK, 94V-0.
 TERMINALS: COPPER ALLOY, TIN PLATED.
 SCREWS: 3M, BRASS, NICKEL PLATED.

ELECTRICAL:
 RATING: 10A, 300V(UL).

MECHANICAL:
 WIRE RANGE: 14-22 AWG.

MOUNTING:
 MATERIALS:
 MOUNTING: 2TK2 AND 2TK2D SERIES SNAPTRACK (SOLD SEPARATELY).

- ① ALL CONNECTOR/STRAIN RELIEF COMPONENTS TO BE SHIPPER LOOSE AND UNASSEMBLED.
- ② CATALOG NUMBER MARKED HERE.
- ③ CONTAINS NO TIN-LEAD PLATING.



③	2M26FCL	1776630-1
	2M26FC	1-1437684-9
	CATALOG NUMBER	PART NUMBER

THIS DRAWING IS A CONTROLLED DOCUMENT.		DWN	M.S. FEHER	01APR2004	Tyco Electronics Corporation Harrisburg, PA 17105-3608							
DIMENSIONS: INCHES		CHK	S. YODER	01APR2004								
TOLERANCES UNLESS OTHERWISE SPECIFIED:		APVD	S. YODER	01APR2004								
0 PLC ± - 1 PLC ± .1 2 PLC ± .01 3 PLC ± - 4 PLC ± - ANGLES ± - FINISH		PRODUCT SPEC	NAME			2M26FC ASSEMBLY						
MATERIAL		APPLIC. SPEC	-		SIZE	A2	CAGE CODE	00779	DRAWING NO	C=1-1437684-9	RESTRICTED TO	-
-		WEIGHT	-		SCALE	NTS	SHEET	1 of 1	REV	B		
CUSTOMER DRAWING												

1-1437684-9

A